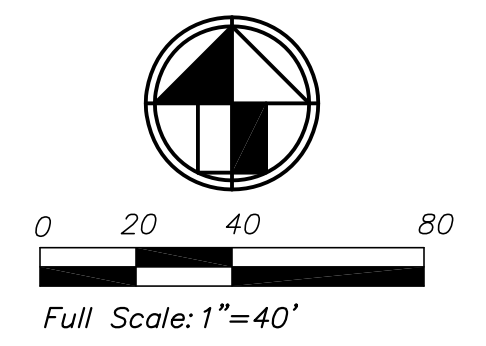


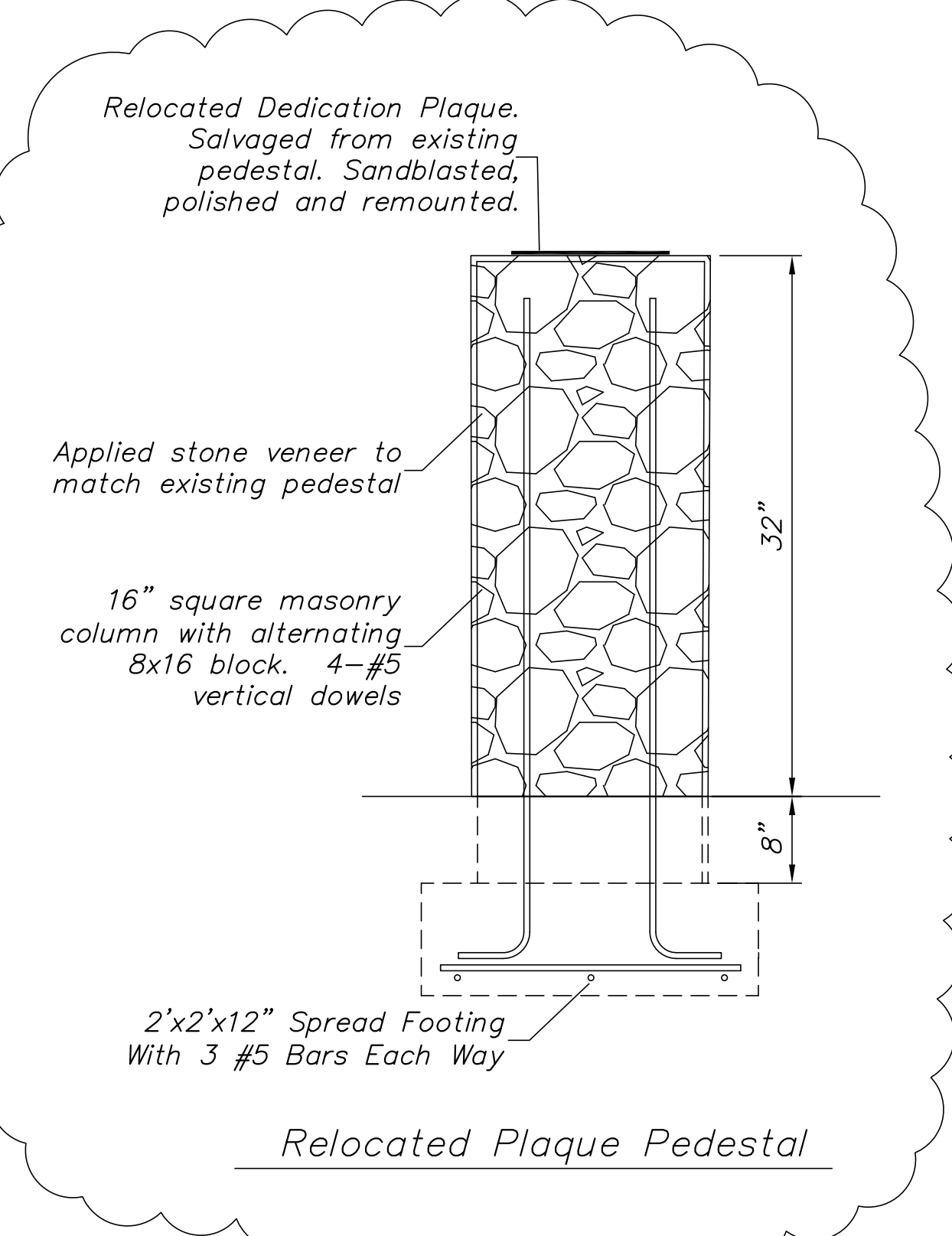
Future Phase 2  
(Not In This Contract)  
Licensed Under Separate Permit  
ERL Permit # DP13-1149  
FDEP Permit # 06-0321058-001



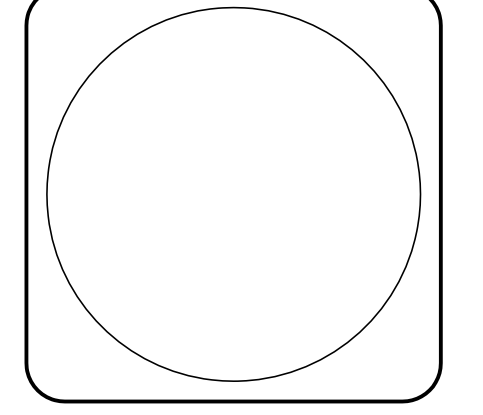
LEGEND

- New Pavement Construction
- Pavement Resurfacing
- New Sidewalk
- New Catch Basin
- 8 Eq. Space      Number Of Parking Spaces

Note:  
1. Passenger Vehicular Spaces Shall Have Double Stripping In Accordance With City Standards See Detail Sheet C-5



**Architects  
Engineers  
Planners**  
3996 N.W. 9th Avenue  
Ft. Lauderdale, FL 33309  
Voice: 954.565.2113 Fax: 954.567.4079  
AAC002142 EB0005022



Jeffrey S. Crews, PE

**ALSDORF PARK  
BOAT RAMP**  
2901 NORTHEAST 14TH STREET  
POMPANO BEACH, FLORIDA

JOB NUMBER  
**216700166**

FILE No. :  
DRAWN : M.O.A.  
REVIEWED : J.S.C.  
CHECKED : J.S.C.

DATE : 8/25/14  
ISSUE/REVISIONS

△	8/25/14	DRC Comm.
△	3/23/15	Planning/Zoning
△	1/11/16	Addendum

SHEET TITLE

STRIPING PLAN

SHEET NUMBER

**C-6**